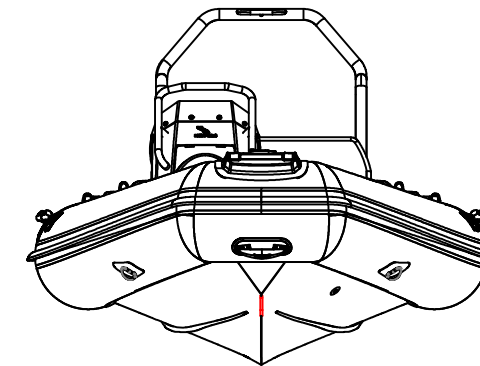
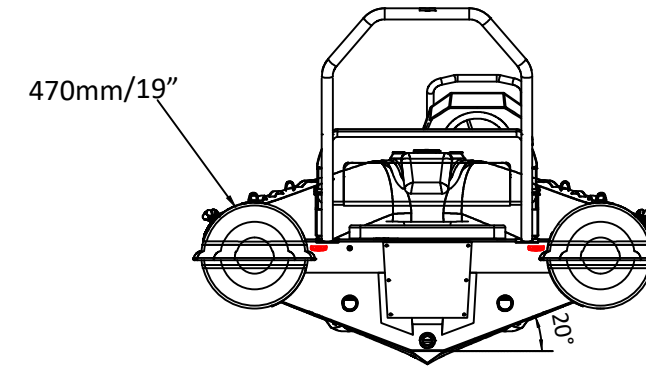
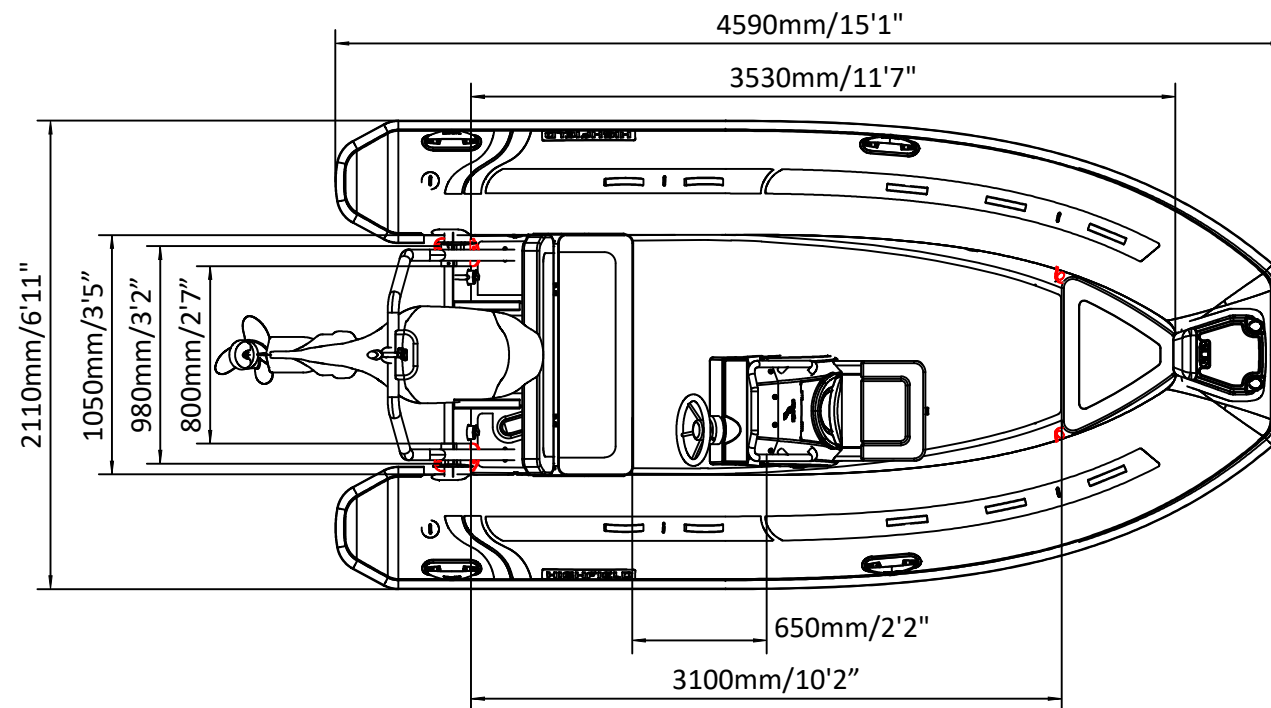
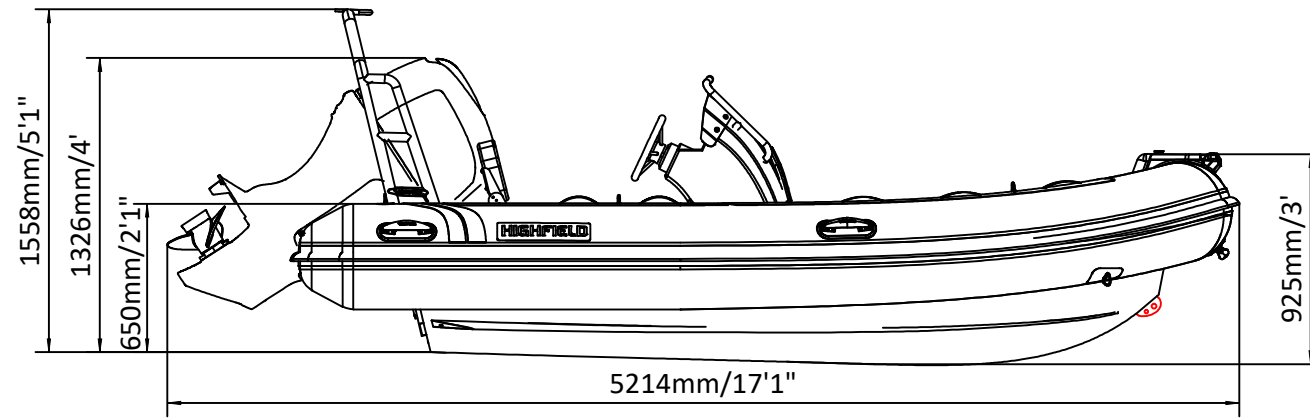


# Classic 460

# SPECIFICATIONS



SPECIFICATIONS AND MAXIMUM CAPACITIES (Subject to change without notice. Tolerances: dimensions ±2.5%, weights ±5%)

MODEL	ISO 6185 PART	ISO 6185	Crew		#	Weight		Shaft	Outboard Engine				Console		Seat		Rollbar		Fuel tank Capacity		Wet Weight (Approximate) 80HP (59.68KW) +Fuel		AIR CHAMBERS	Pressure			
			KG	LB		KG	LB		KG	LB	KG	LB	KG	LB	L	GAL	KG	LB	PSI	BAR							
			Max power	Max weight		KW	HP		KG	LB	KG	LB	KG	LB	KG	LB	KG	LB	PSI	BAR							
CL460	3	C	944	2081	9	675	1488	L	59.68	80	207.6	458	238	525	26	57	21	46	11	25	40	10.6	475.6	1049	5	3.63	0.25

Weight: boat only.